



COPY OF PAPERS
ORIGINALLY FILED

2661 RS
#4
2-15-0

IN THE UNITED STATES
PATENT AND TRADEMARK OFFICE

PATENT APPLICATION

RECEIVED

FEB 05 2002

Technology Center 2000

Applicant(s): Dhara et al.
Case No.: Dhara 2-2-1
Serial No.: 09/677,060 Filed 9/29/00
Group Art Unit: 2661
Examiner: not assigned
Title: A METHOD AND APPARATUS FOR PROVIDING
BIFURCATED TRANSPORT OF SIGNALING AND
INFORMATIONAL VOICE TRAFFIC

ASSISTANT COMMISSIONER FOR PATENTS
Washington, D.C. 20231

S I R:

SUBMISSION OF FORMAL DRAWINGS

Submitted herewith are thirteen (13) sheets of formal drawings (FIGs 1-6) in connection with the above-captioned application.

Respectfully submitted,

11/21/01

Eamon J. Wall, Attorney
Reg. No. 39,414
(732) 530-9404

Moser, Patterson & Sheridan, LLP
595 Shrewsbury Avenue, First Floor
Shrewsbury, New Jersey 07702

CERTIFICATE OF MAILING under 37 C.F.R. § 1.8(a)



I hereby certify that this correspondence is being deposited on 11/21/01 with the United States Postal Service as first class mail, with sufficient postage, in an envelope addressed to the Assistant Commissioner for Patents, Washington, D.C. 20231.

Laura E. Crater
Signature

11/21/01
Date of signature

RECEIVED
FEB 05 2002
Technology Center 2600

1/13

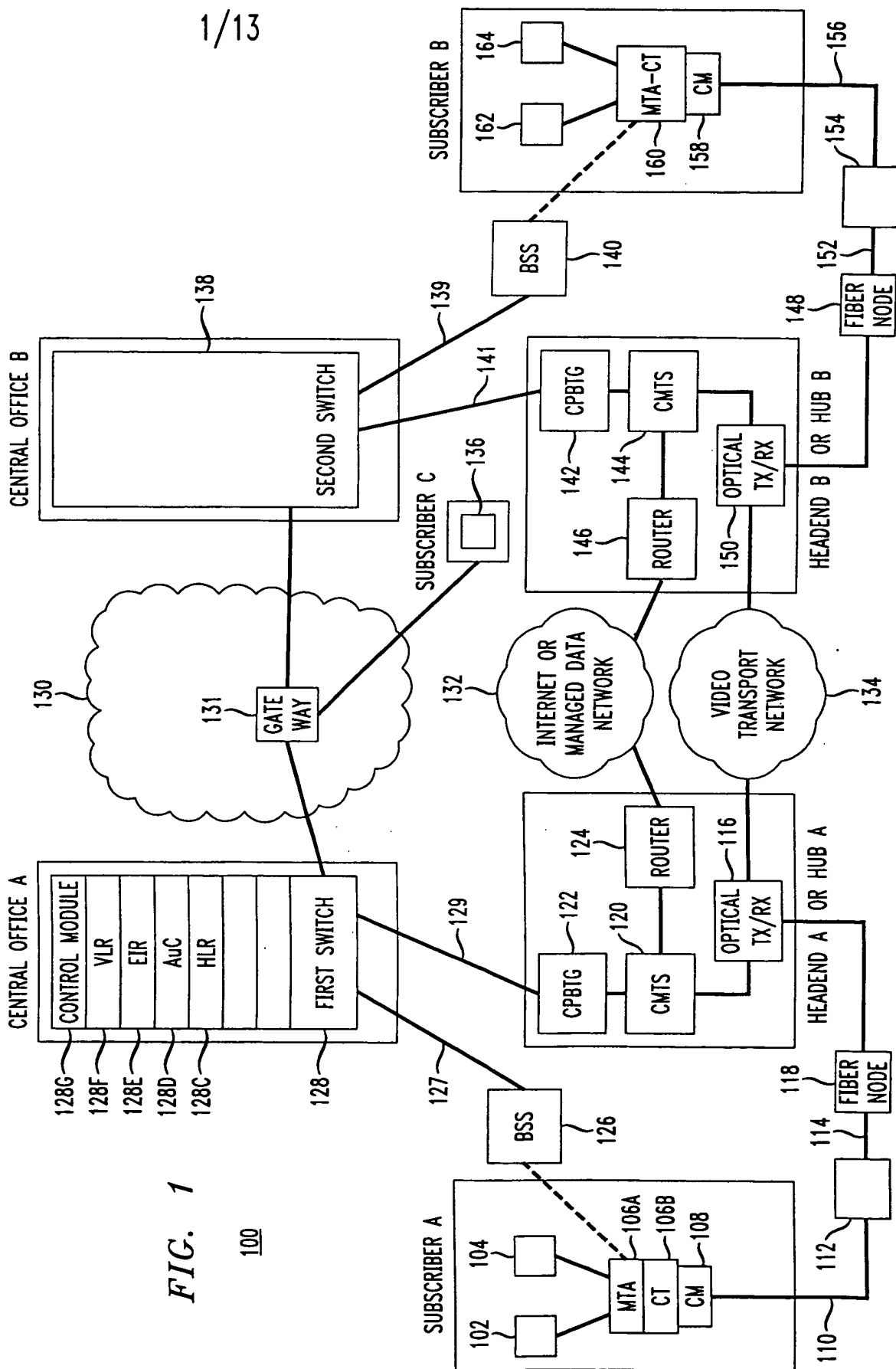


FIG. 1

100

FIG. 2

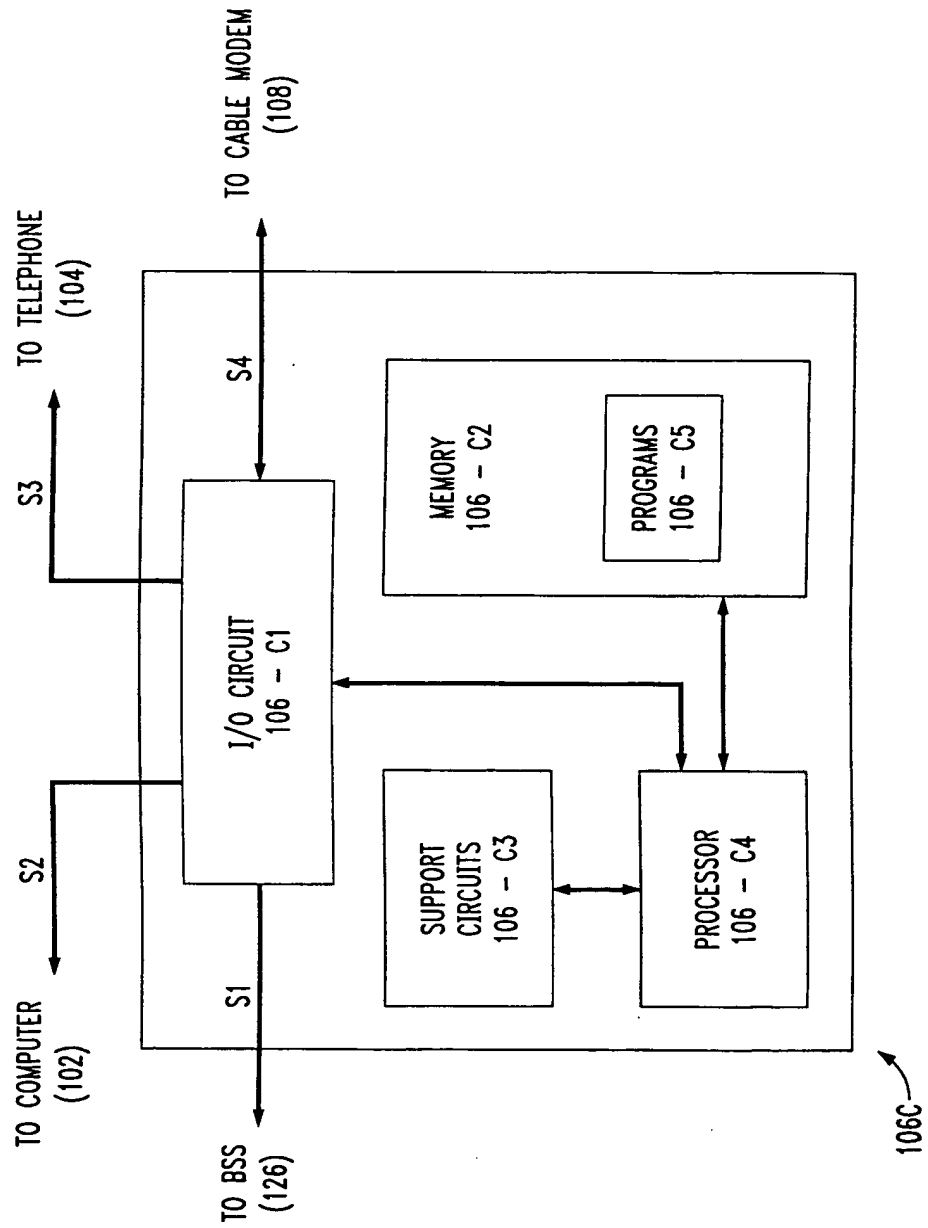
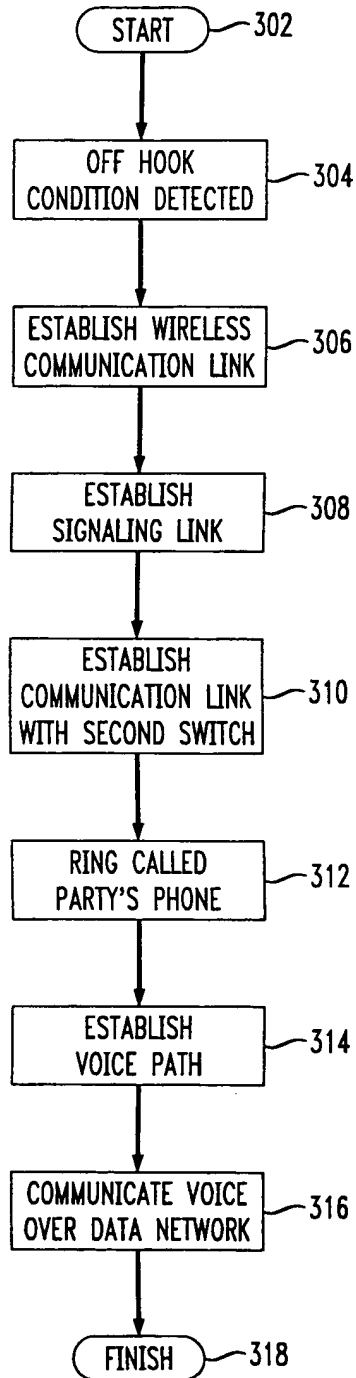
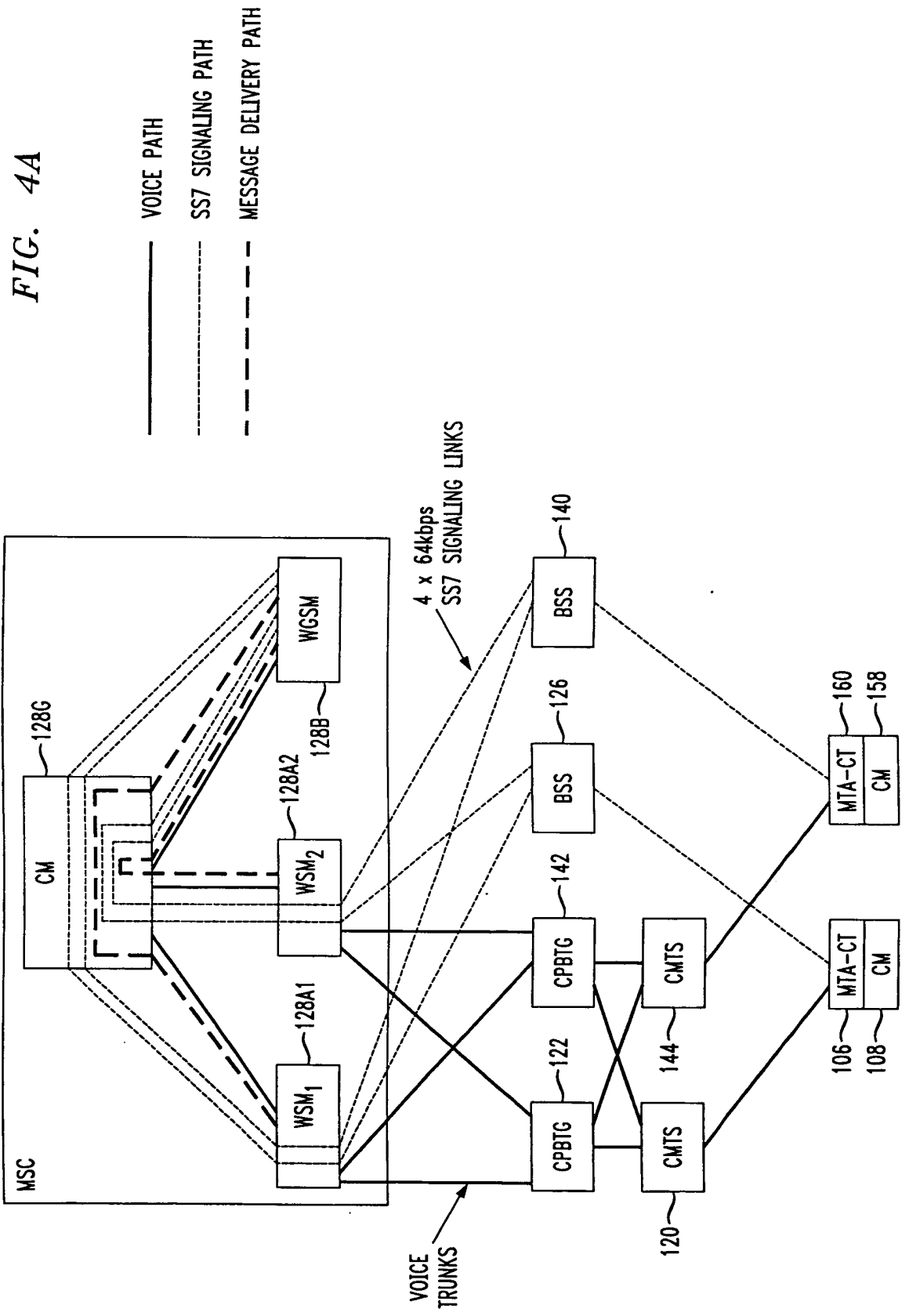
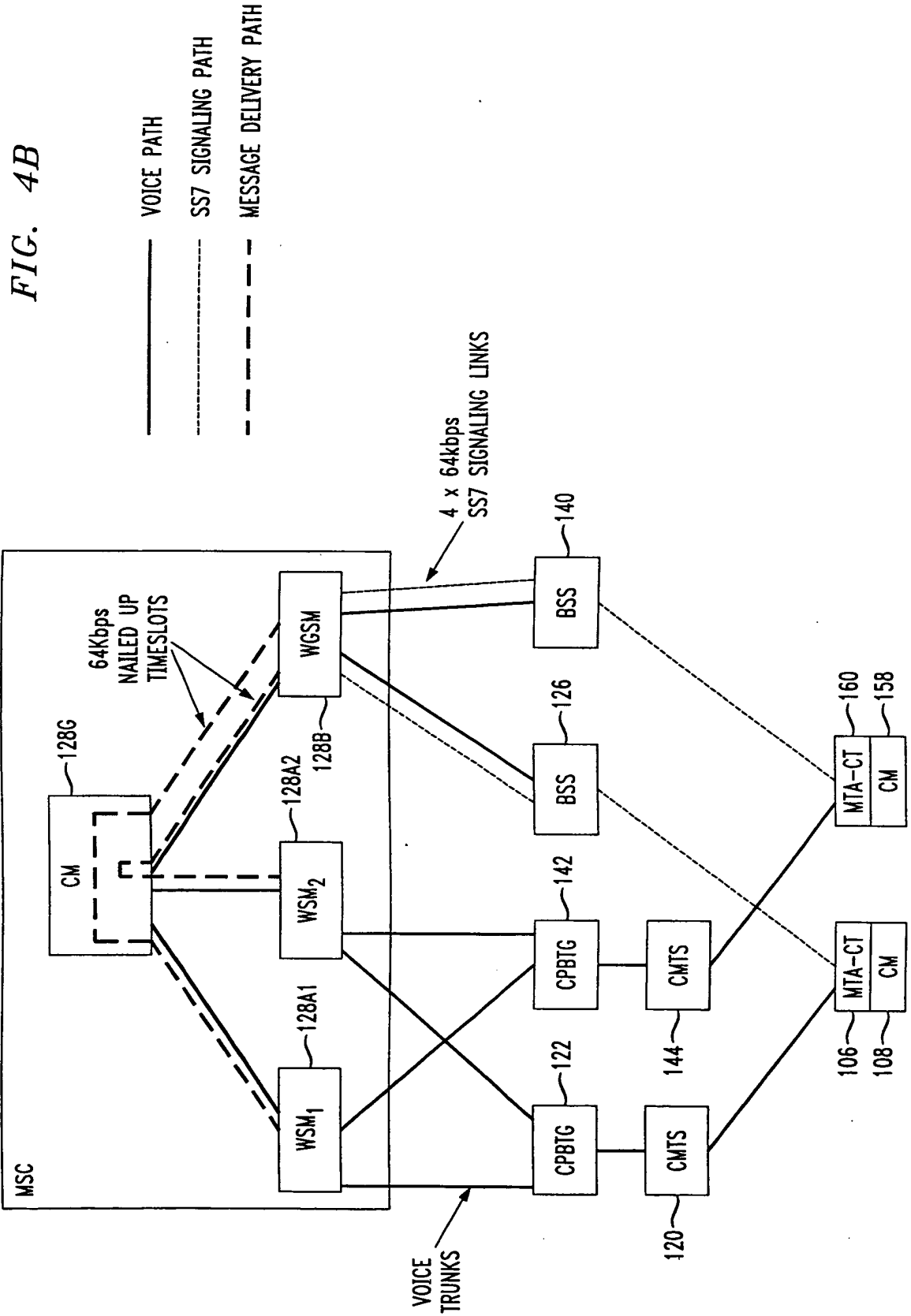


FIG. 3

300







DHARA 2-2-1

6/13

FIG. 5

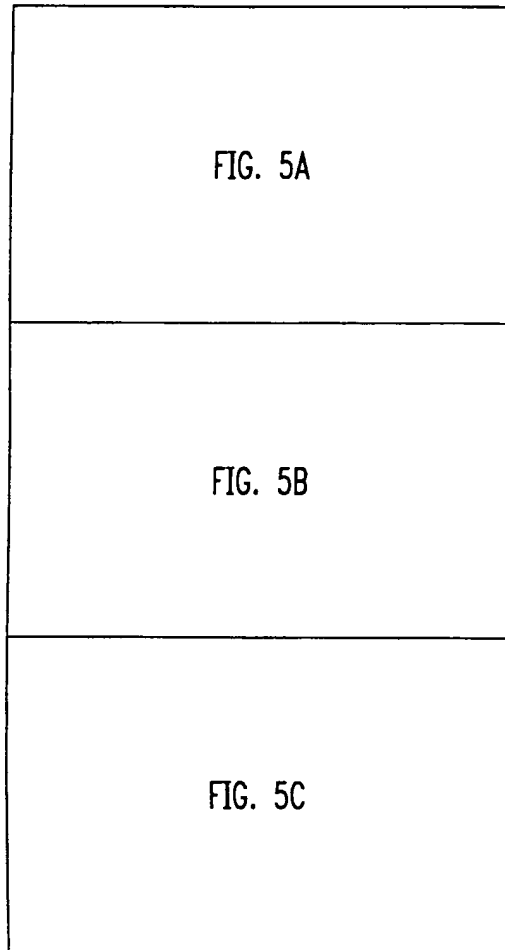


FIG. 5A

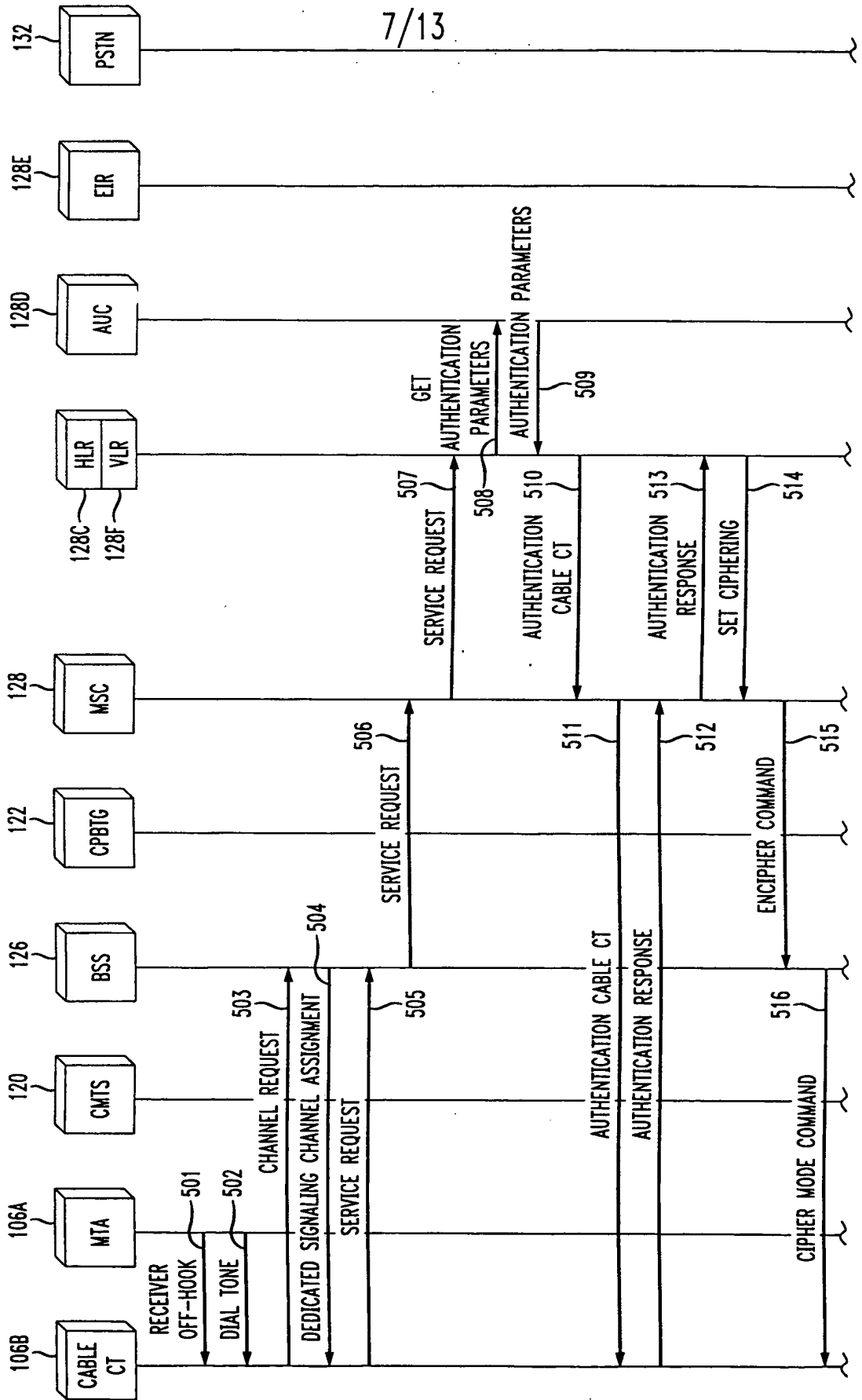
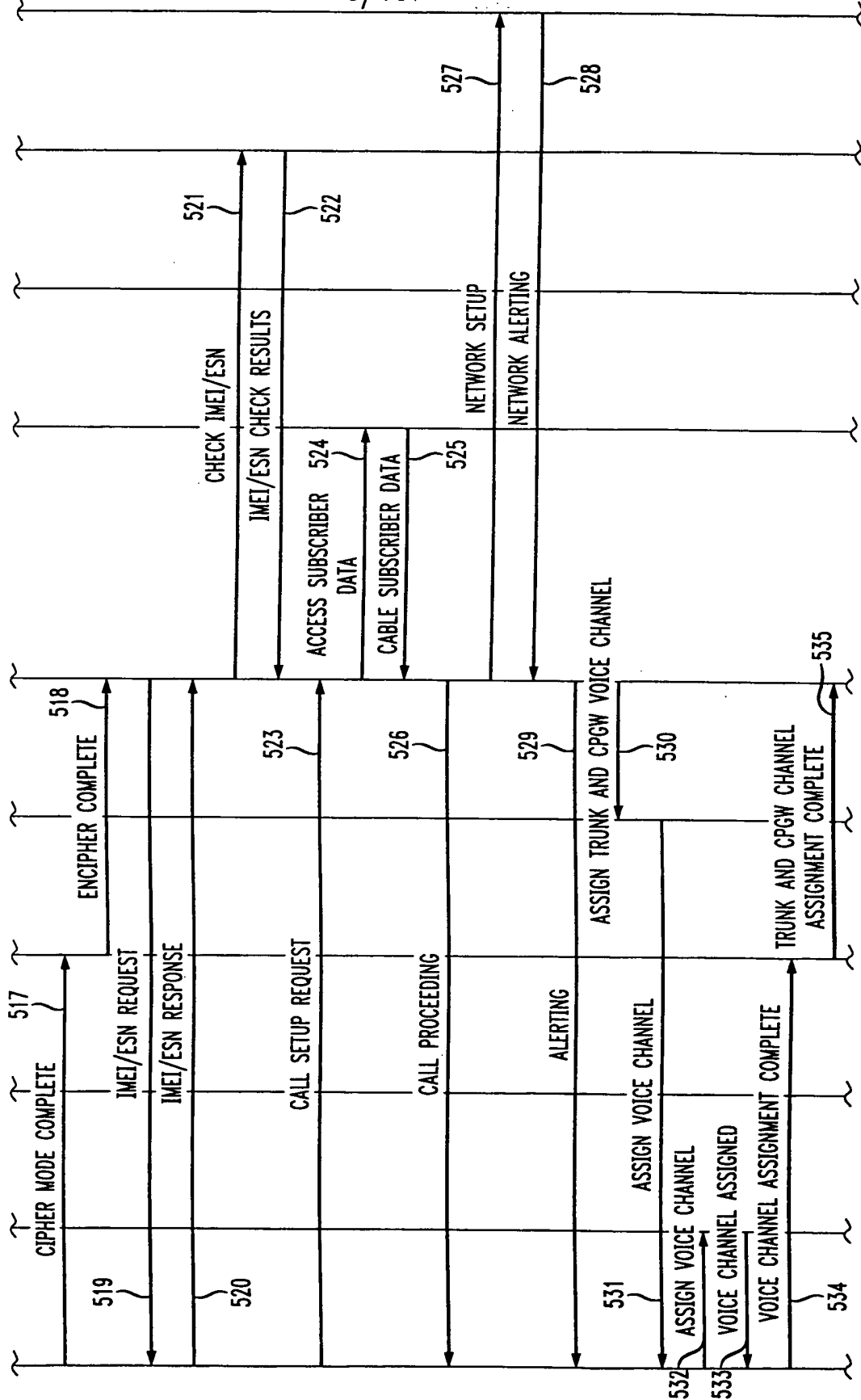
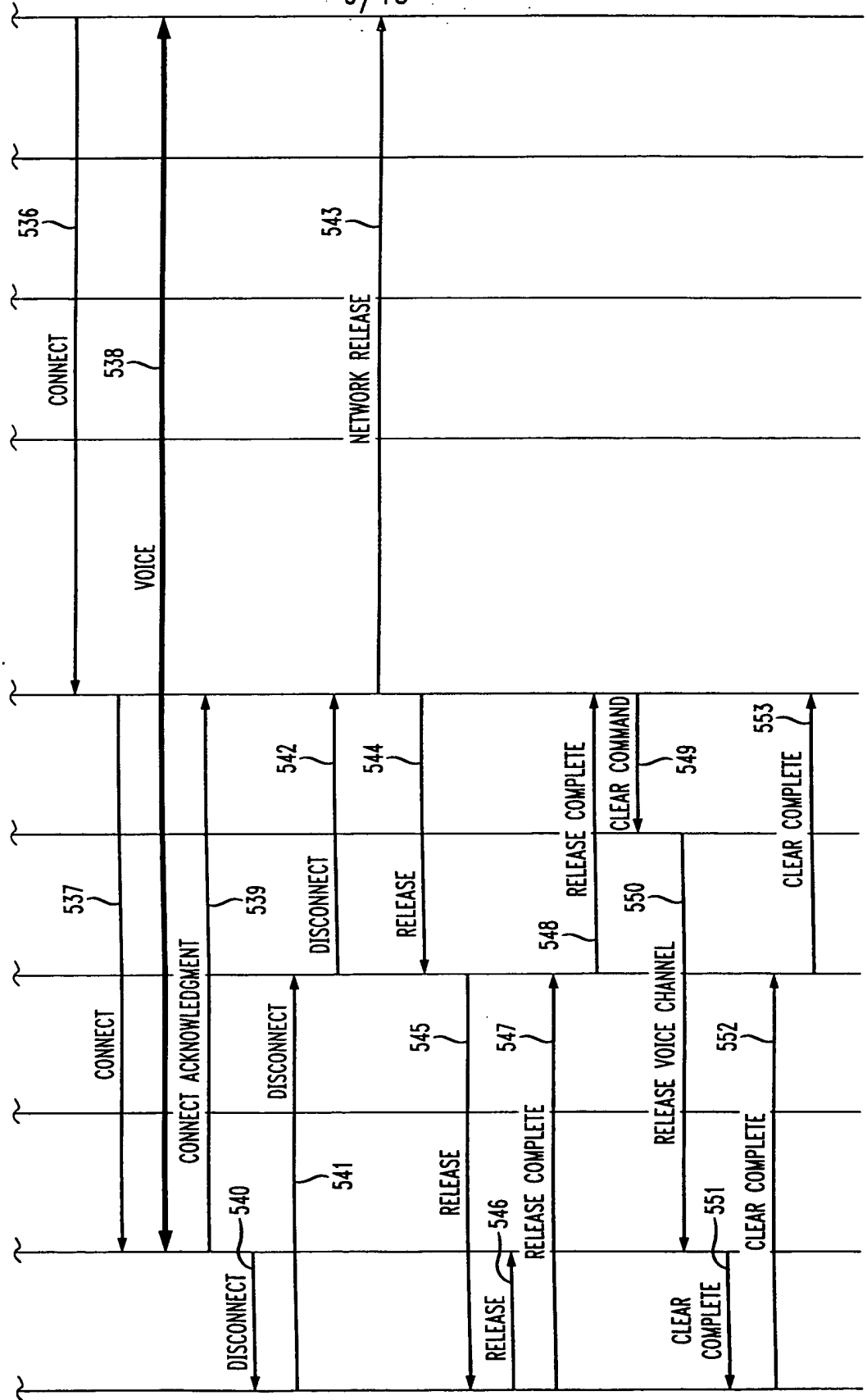


FIG. 5B



9/13

FIG. 5C



DHARA 2-2-1

10/13

FIG. 6

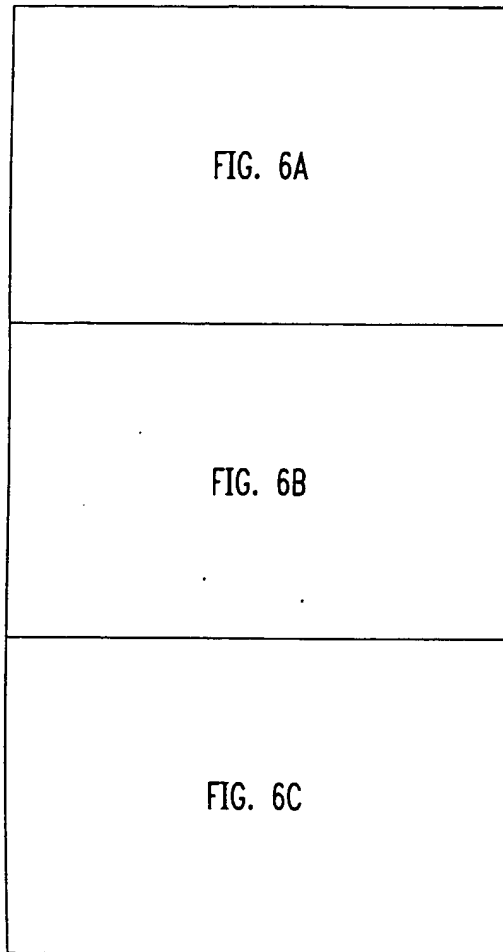


FIG. 6A

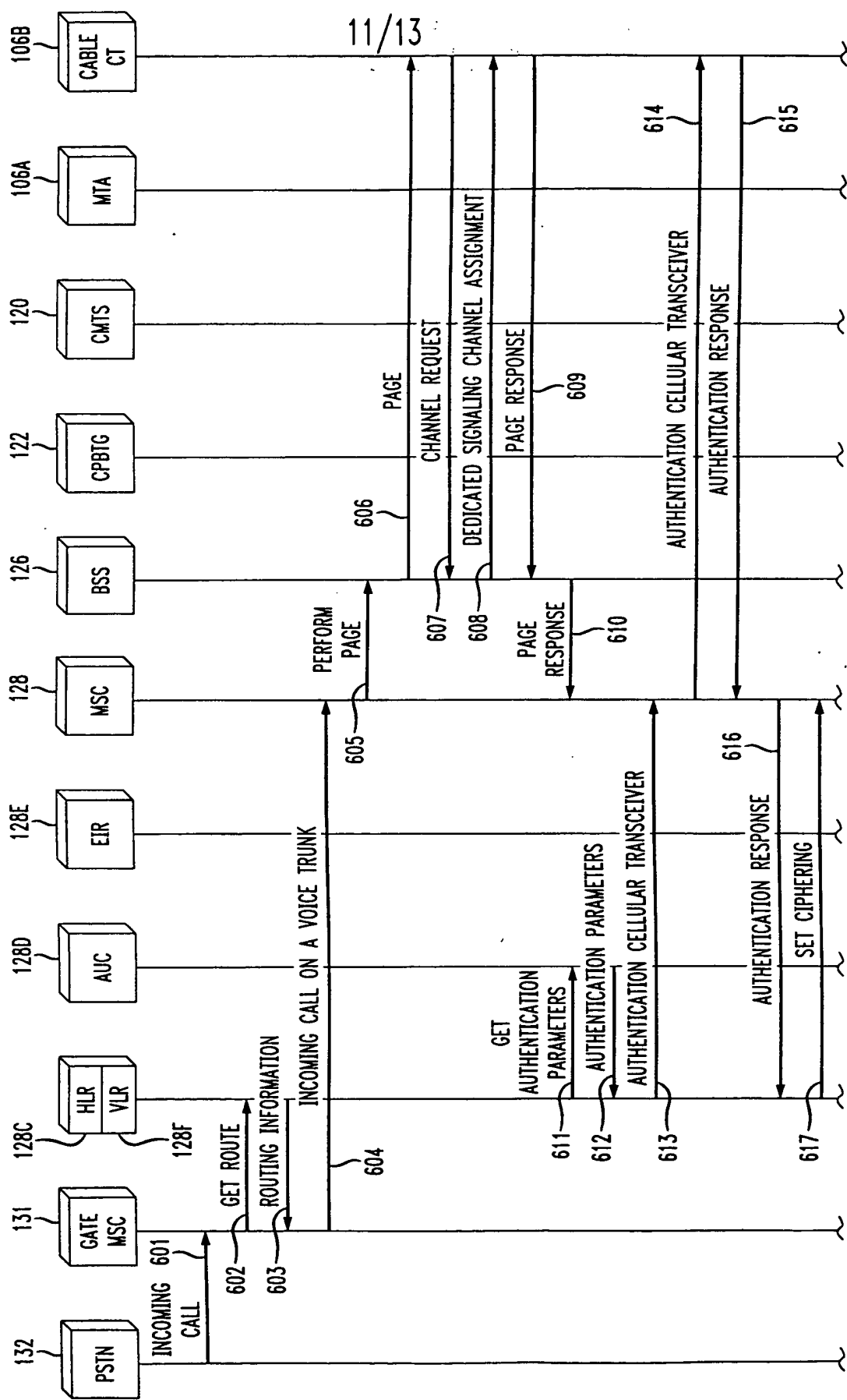


FIG. 6B

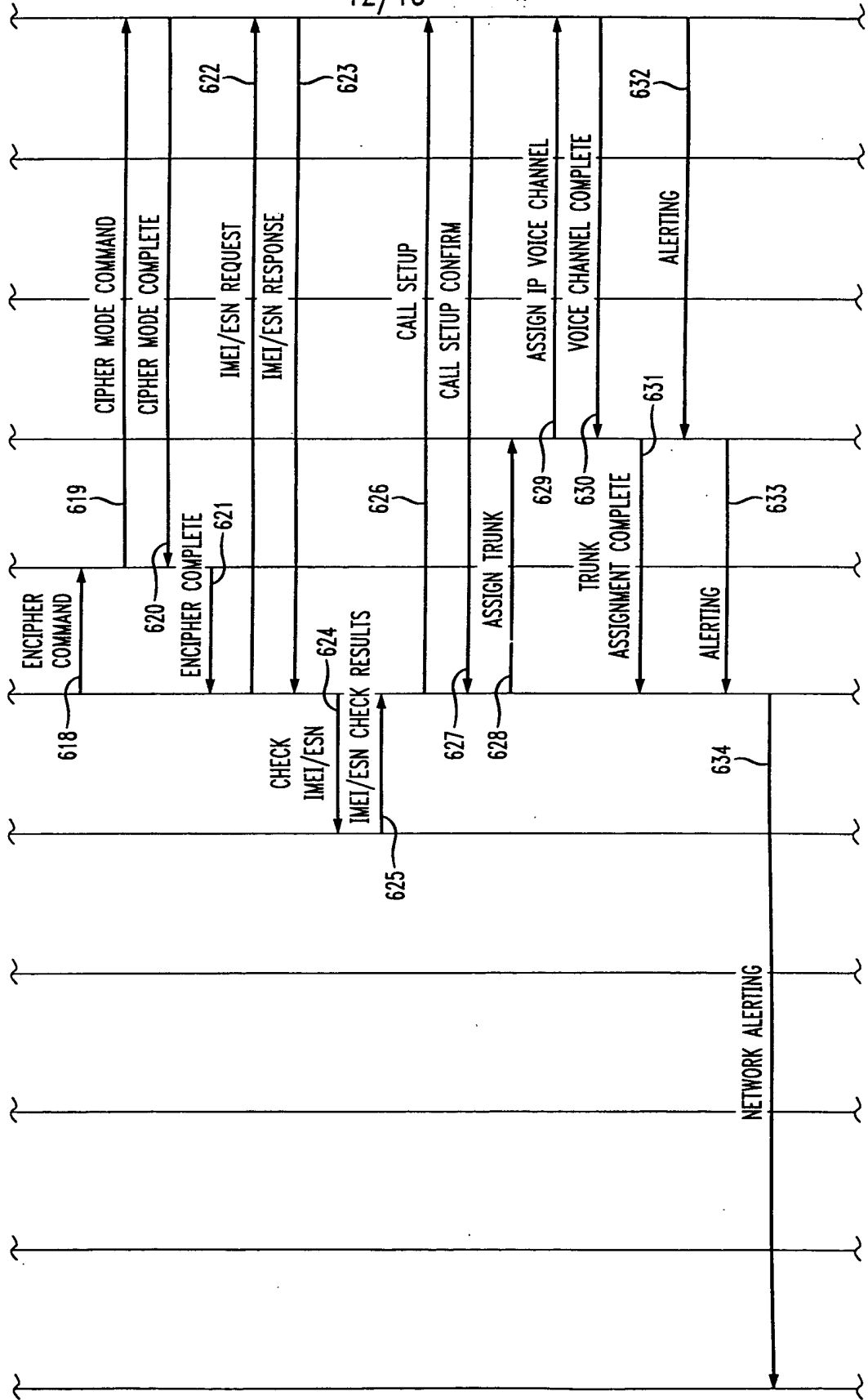


FIG. 6C

